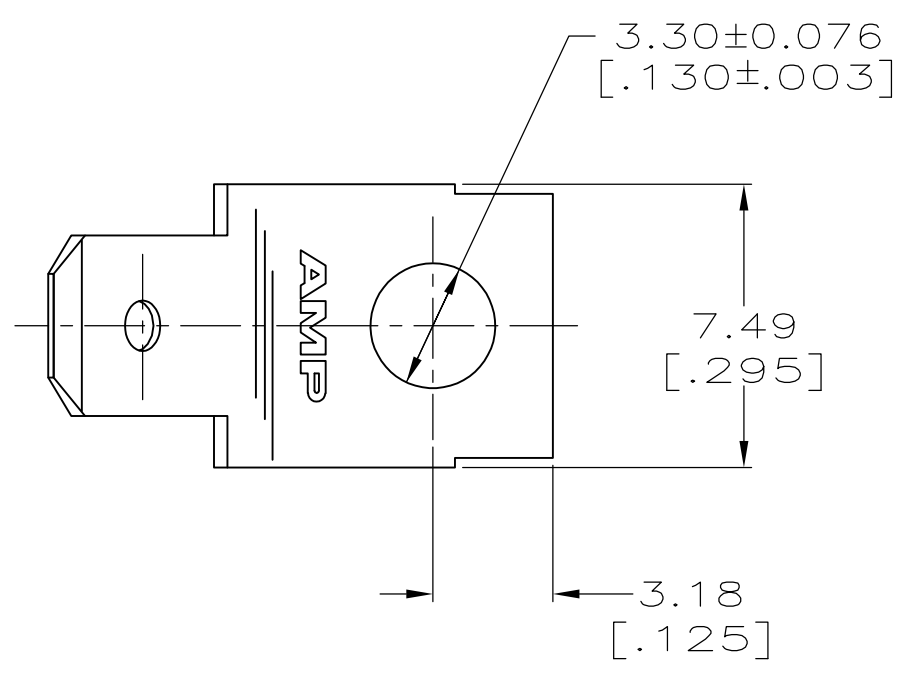
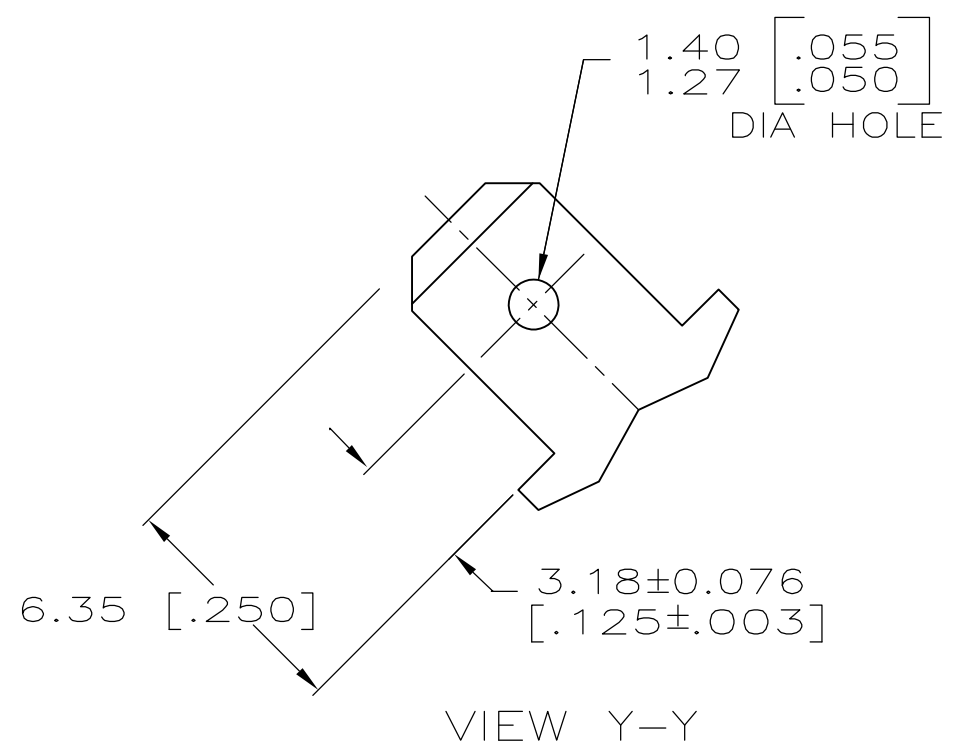
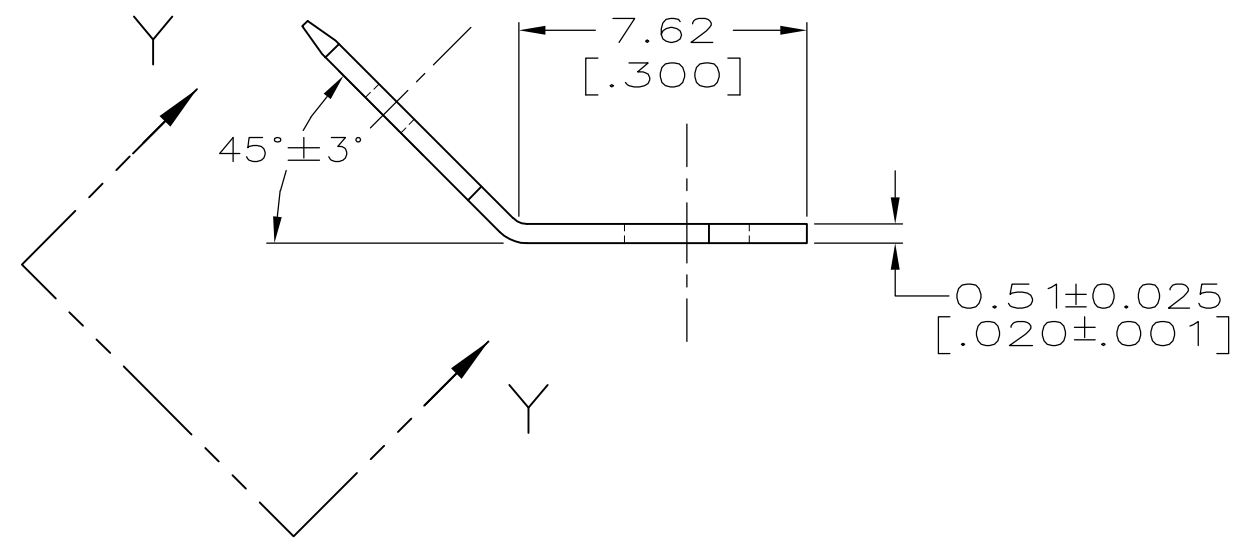


THIS DRAWING IS UNPUBLISHED. RELEASED FOR PUBLICATION  
 © COPYRIGHT - By - ALL RIGHTS RESERVED.

LOC	DIST	REVISIONS			
P	LTR	DESCRIPTION	DATE	DWN	APVD
AF	50	H	REVISED PER ECR-13-011489	05DEC2013	KH PD



- 1 SUPPLIED IN LOOSE PIECE.
- 2 TIN PLATE.
- 3 PRELIMINARY - NOT FOR PRODUCTION.



-	3	61761-3
2		61761-2
FINISH		PART NO.

THIS DRAWING IS A CONTROLLED DOCUMENT.		DWN	JR RUTH	1/24/97	TE Connectivity NAME TAB, FASTON, 4.75 [.187] SERIES
DIMENSIONS: mm [INCHES]		CHK	MS FEHER	1/24/97	
TOLERANCES UNLESS OTHERWISE SPECIFIED:		APVD	J HUZVAR	1/24/97	
0 PLC ± - 1 PLC ± - 2 PLC ± 0.38 [.015] 3 PLC ± - 4 PLC ± - ANGLES ± -		PRODUCT SPEC			
MATERIAL	BRASS	FINISH	SEE TABLE	APPLICATION SPEC	
		WEIGHT	-	SIZE	A3
		CUSTOMER DRAWING		CAGE CODE	00779
				DRAWING NO	C-61761
				RESTRICTED TO	-
				SCALE	5:1
				SHEET	1 OF 1
				REV	H